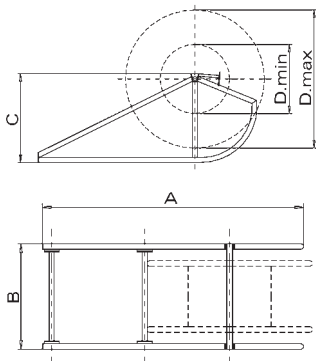


The cradle reel elevator are made of welded steel with a protective coating; the frame is completely detachable to reduce dimensions during transport



Certified Quality System
ISO 9001:2000



Model	Dimensions [mm]					Capacity [kN]	Mass [kg]
	A	B	C	Dmin	Dmax		
CVC 002	2550	1325	1060	1100	1400	20	85
CVC 201	3020	1060	1130	-	1900	26	150

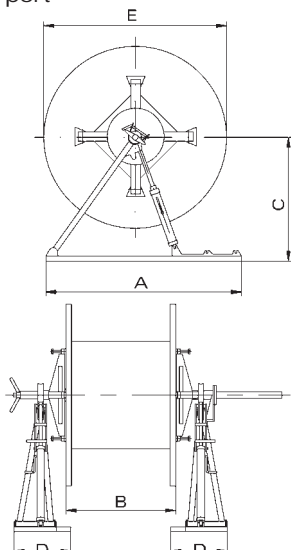
OPTIONAL

CDF 007 Disk brake device for model CVC 002
CDF 008 Disk brake device for model CVC 201

MECHANICAL DRUM ELEVATORS CVM 200

The drum elevator are made of welded steel with a protective coating; the frame is completely detachable to reduce dimensions during transport

Each drum elevator is provided with a support with fixed wedges for wooden reels of conductors and with a mechanical disk braking system to control the drum when unwinding the conductor



A	Dimensions [mm]							Capacity [kN]	Mass [kg]
	Bmin	Bmax	Cmin	Cmax	D	Emin	Emax		
1600	1000	1400	700	1100	610	1450	2000	40	221